

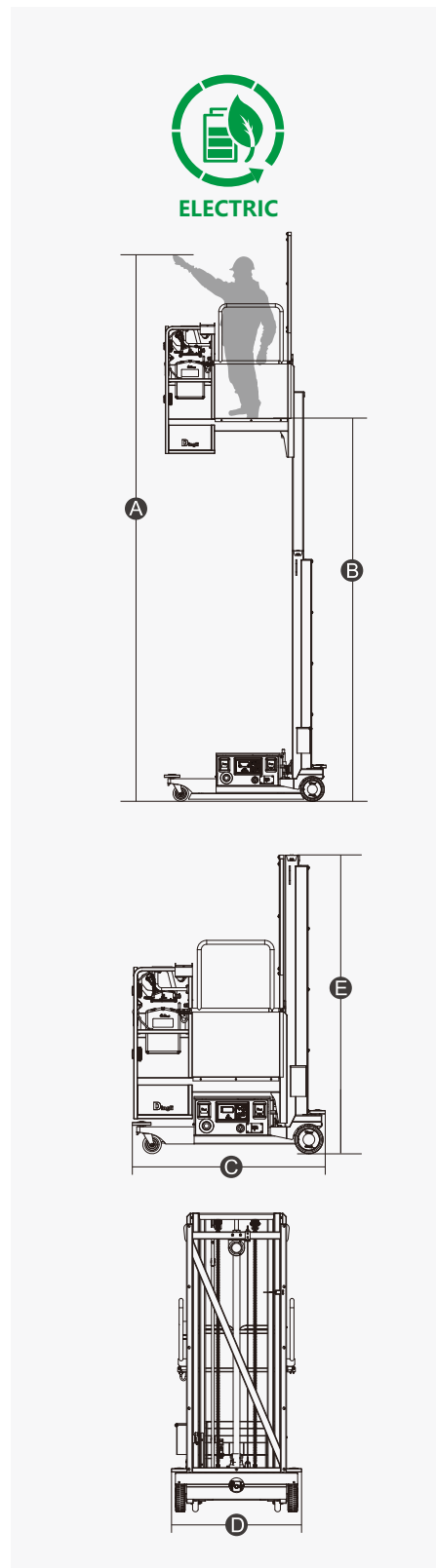
### SPECIFICATIONS

Size	Metric	British
Max. Working Height <b>A</b>	6.50m	21ft 4in
Max. Platform Height <b>B</b>	4.50m	14ft 9in
Overall Length <b>C</b>	1.59m	5ft 3in
Overall Width <b>D</b>	1.06m	3ft 6in
Overall Height <b>E</b>	2.28m	7ft 6in
Platform Size(Length×Width)	0.71m×0.80m	2ft 4in×2ft 8in
Ground Clearance	0.08m	3in
Wheelbase	1.30m	4ft 3in
Turning Radius	0	0
Tyres(Drive Motors)	Φ230×80mm	Φ9in×3in
Tyres(Front)	0.15m	6in

Performance		
S.W.L	300kg	661lb
Max. Occupants	1	1
Travel Speed(Stowed)	4.0km/h	2.5mph
Travel Speed(Raised)	0.8km/h	1.5mph
UP/Down Speed	20/17sec	20/17sec
Gradeability	25%	25%
Max. Working Slope	X-1.5°/Y-2°	X-1.5°/Y-2°

Weight		
Weight	840kg	1851lb

Power		
Battery	2×12V/105Ah	2×12V/105Ah
Charger	24V/30A	24V/30A
Drive Motor	2×24VDC/0.4kW	2×24VDC/0.4kW
Lifting Motor	24V/2.2kW	24V/2.2kW



## FEATURES

### Standard Items

- Proportional Joystick Controls
- Self-Locking Gates
- Drivable At Full Height
- Non-Marking Tires
- Two-Wheel Drive
- Two-Wheel Steering
- Automatic Braking System
- Emergency Descent System
- Tubing Explosion-Proof System
- Tilt Alarm
- Motion Alarm
- Horn
- Hour Meter
- Charging Indicator
- Charging Protection System
- Flashing Beacon
- Drive Enable
- Lanyard Attachment Point
- Tie-Down And Lifting Points
- Platform Load Sense System
- Emergency Stop Button
- Battery Indicator
- Safety Arm
- Anti-Collision Wheels



### ZHEJIANG DINGLI MACHINERY CO., LTD.

Address: No.188 Qihang Road,Deqing,Zhejiang P.R.C 313219

Telephone: +86(572)8681688

E-Mail: [export@cndingli.com](mailto:export@cndingli.com)

[Https://en.cndingli.com](https://en.cndingli.com)